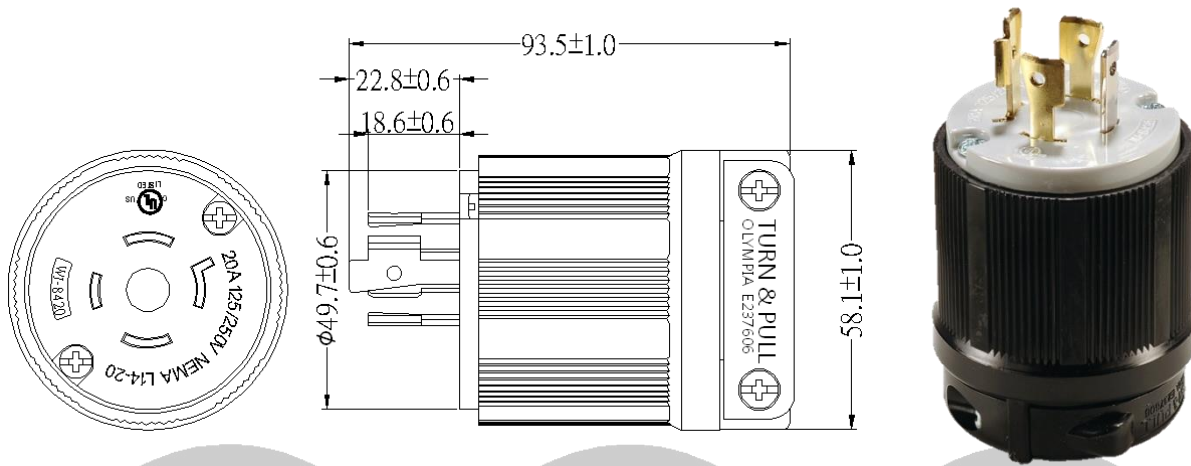


WJ-8420



Product Specifications

Product Item	Locking Plug
Electrical Rating	3 Pole, 4 Wire Grounding 20A 125/250V AC
Configuration	NEMA L14-20
Color	Gray - Black
Blade Holder Material	Gray Polycarbonate
Terminal Retainer Material	Clear Polycarbonate
Housing Material	Black Nylon
Cord Clamp Material	Black Nylon
Blade Material	Brass
Terminal Screw Material	Brass
Ground Screw Material	Brass (Green)
Flammability	UL 94 V-0
Wire size	.375" to 1.156" (16~10 AWG, 9.525~29.36mm)
Operating Temperatures	Maximum Continuous 65 °C, Minimum -20 °C (w/o impact)
Standards and Certifications	UL/cUL Listed to UL498 File E237606 PSE
RoHS Compliant	Yes